



Compressor
Voltage Code : FZ

AE4470Z-FZ3C

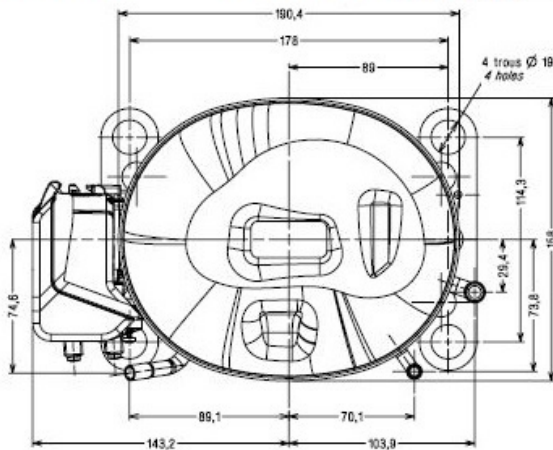
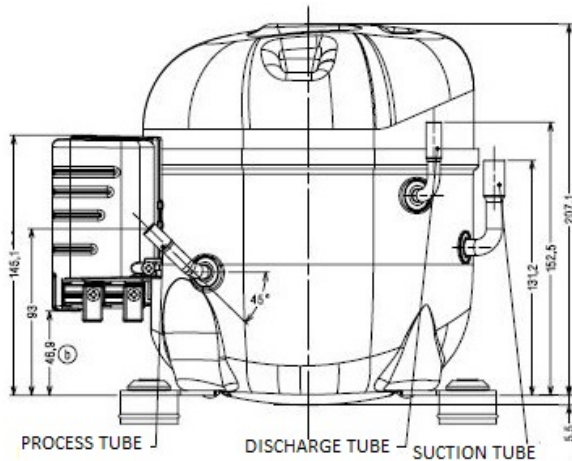
High Temp. Commercial (HP)

220 - 240V 1~ 50 Hz

R404A

AE4470Z-FZ3C

| Operating conditions : | Customized... / 50 Hz / Dew | Sound Power ISO3745 / ISO 3743-1 |
|------------------------|--|---|
| | -6.67 °C 11.1 K 4.44 °C 48.9 °C -0.01 K 48.6 °C | 982 Watt 666 Watt 3.07 A C.O.P : 1.48 Watt/W |
| | | 64 dBA |



| | |
|--|--------------------------------|
| Displacement (cc) | 12,01 |
| Net Weight (Kg) | 12,3 |
| Oil Quantity (cc) | 380,0 |
| Oil Type | Polyolester |
| Expansion Device | Capillary_Tube/Expansion_Valve |
| Cooling | Fan |
| Main Winding (Ohm) | 4,86 |
| Start Winding (Ohm) | 12,16 |
| Current | |
| RLA (A) | 3,9 |
| LRA (A) | 18,2 |
| Electrical Equipment | CSR |
| Overload | MSP28APW |
| Time Check | 2.8s - 5.2s / 19.5 A |
| Open Temp | 135° C |
| Close Temp | 61° C |
| Start Capacitor | 88 µF / 330 V |
| Run Capacitor | 20 µF / 400 V |
| Potential Relay | RVA6M** |
| Pick Up | 239/268V |
| Drop Out | 60/135V |
| Refrigerating connection for OD | |
| Suction Tube | 9.5 (3/8") |
| Discharge Tube | 6.35 (1/4") |
| Process Tube | 6.35 (1/4") |

Certificates :




Note : Tecumseh reserves the right to change information contained in this document without notification.



Tecumseh

| | |
|---------------------|---|
| AE4470Z-FZ3C | Tension FZ : 220 - 240V 1~ 50 Hz |
|---------------------|---|

| | | |
|--|------------------------|---------|
| Les performances sont données dans les conditions EN12900 : | Gaz aspirés : | 20.0 °C |
| Condition Dew | Sous refroidissement : | 0.0 K |
| The performance data are in EN12900 conditions : | Return gas : | 20.0 °C |
| Dew Condition | Subcooling : | 0.0 K |

| | | | | | | | | | | | |
|---|--------------------|--------|------------|------------|------------|------------|-----------|----------|----------|---------------|-----------|
| 50 Hz R404A | | | | | | | | | | | |
|  | | | | | | | | | | N°3135 | |
| 4 T condensation | 5 T évaporation | (°C) | -25 | -20 | -15 | -10 | -5 | 0 | 5 | 10 | 15 |
| 30 | 1 P frigorifique | (Watt) | 701 | 881 | 1088 | 1325 | 1599 | 1913 | 2272 | 2681 | 3145 |
| | 2 P absorbée | (W) | 458 | 491 | 521 | 549 | 574 | 597 | 619 | 640 | 660 |
| | 3 I absorbée | (A) | 2.11 | 2.26 | 2.40 | 2.53 | 2.64 | 2.74 | 2.83 | 2.90 | 2.95 |
| 40 | 1 P frigorifique | (Watt) | 575 | 741 | 926 | 1134 | 1370 | 1638 | 1943 | 2291 | 2685 |
| | 2 P absorbée | (W) | 477 | 520 | 560 | 597 | 631 | 663 | 693 | 721 | 748 |
| | 3 I absorbée | (A) | 2.18 | 2.39 | 2.58 | 2.75 | 2.91 | 3.06 | 3.19 | 3.31 | 3.42 |
| 50 | 1 P frigorifique | (Watt) | | 598 | 759 | 934 | 1129 | 1349 | 1598 | 1881 | 2203 |
| | 2 P absorbée | (W) | | 541 | 593 | 641 | 686 | 728 | 767 | 805 | 841 |
| | 3 I absorbée | (A) | | 2.49 | 2.73 | 2.95 | 3.16 | 3.36 | 3.54 | 3.71 | 3.86 |
| 60 | 1 P frigorifique | (Watt) | | | 587 | 728 | 880 | 1049 | 1239 | 1455 | 1702 |
| | 2 P absorbée | (W) | | | 617 | 678 | 736 | 791 | 842 | 891 | 938 |
| | 3 I absorbée | (A) | | | 2.85 | 3.13 | 3.39 | 3.63 | 3.86 | 4.08 | 4.28 |

© 2021 Tecumseh Products Company
All rights reserved

1 = cooling capacity 2 = power input 3 = current 4 = condensing temperature 5 = evaporating temperature

Nota : Tecumseh se réserve le droit de modifier les informations contenues dans ce document sans préavis.
Note : Tecumseh reserves the right to change information contained in this document without notification.